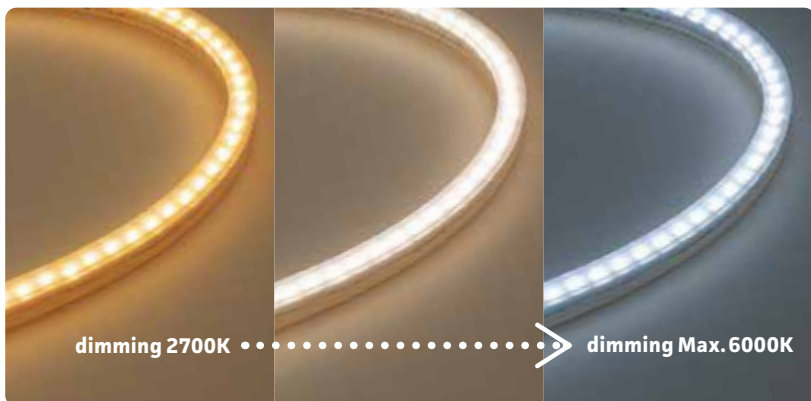


LONG SILICONE LIGHT DUO INDOOR with ULTRA-HIGH CRI (Tunable White) **NEW**



KEY FEATURES AND BENEFITS

- Flexible LED Strip with side-Bend
- CRI : 97
- Adjustable CCT range : 2700K~6000K
- Max length : 5026mm
- Customizable 88 different lengths
- LEDs sealed by silicone case
- Installation : See ACCESSORIES for options on mounting channels.
- Environment : Interior, dry location use only. Equivalent to IP40 rated.
- Power and Control : DMX-512, DALI on/off, and dimming control options. Contact factory for more information.

ORDERING

PRODUCT No.	LENGTH
GM-TU-S97	5026.0
1	2
PRODUCT	LEAD WIRES
3	LENGTH

1	PRODUCT
	GM-TU-S97 Long Silicone Light Duo Indoor with Ultra-High CRI (Tunable White)
2	LEAD WIRES
	- Lead wires at one end. W Lead wires at both ends.
3	LENGTH
	See length ordering guide.

PRODUCT SPECIFICATIONS

LED	(108+108) LED/m
LED PITCH	9.5 mm
2700K	570 lm/m
6000K	600 lm/m
INPUT	24VDC
WATTS	17 W/m (2700K : 8.5W/m, 6000K : 8.5W/m)
WIDTH¹	11 mm
HEIGHT¹	18 mm
LENGTH²	67 mm ~ 5026 mm
WEIGHT	135 g/m
BEAM ANGLE	100°
TRIM POINTS	Every 57 mm
Max Unit Connectable	5m (5026 mm)
Bending Radius	R60 mm vertical
Operating Temperature	-10° to 40°C

¹End cap is 14w x 21h mm. See DRAWINGS.
²See LENGTH ORDER GUIDE.

PRODUCT No.

Standard	"W" Type¹	LED COLOR
GM-TU-S97	GM-TU-S97W	2700K/6000K

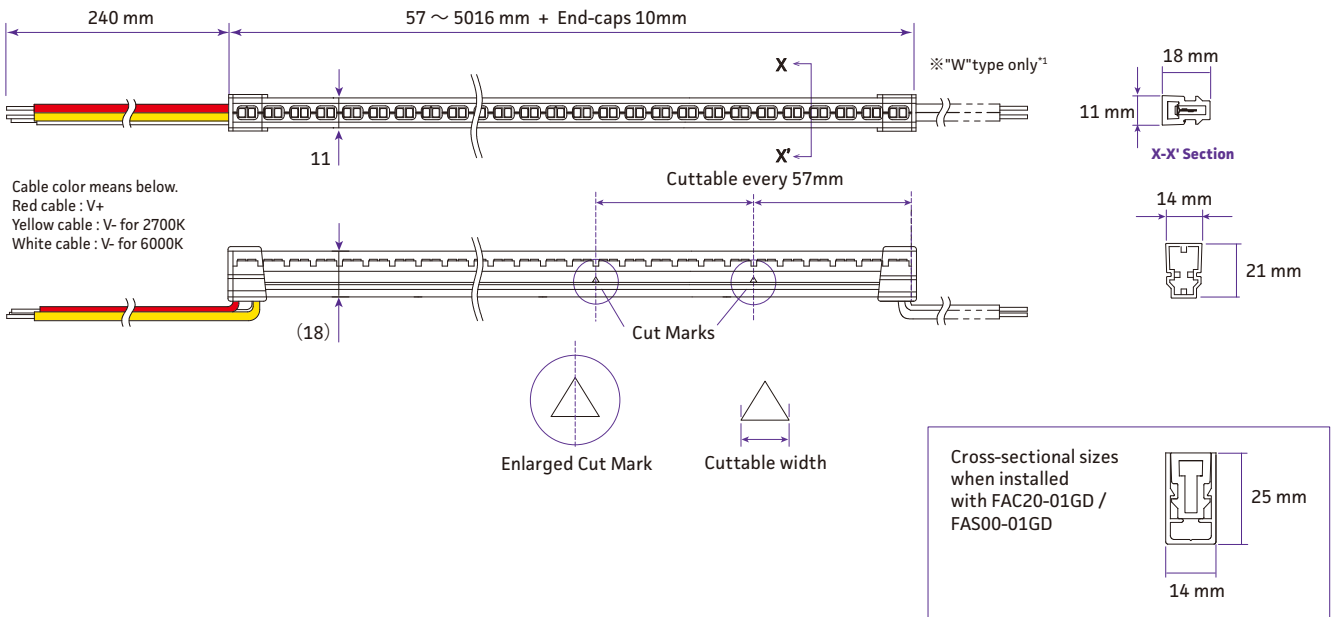
※Please contact factory if you request other single color and color temperature.
¹"Lead wires at both ends" Type

LONG SILICONE LIGHT DUO INDOOR with ULTRA-HIGH CRI (Tunable White) **NEW**

LENGTH ORDER CODE GUIDE (LENGTHS INCLUDE END CAPS.)

MM	MM	MM	MM	MM	MM
67	922	1777	2632	3487	4342
124	979	1834	2689	3544	4399
181	1036	1891	2746	3601	4456
238	1093	1948	2803	3658	4513
295	1150	2005	2860	3715	4570
352	1207	2062	2917	3772	4627
409	1264	2119	2974	3829	4684
466	1321	2176	3031	3886	4741
523	1378	2233	3088	3943	4798
580	1435	2290	3145	4000	4855
637	1492	2347	3202	4057	4912
694	1549	2404	3259	4114	4969
751	1606	2461	3316	4171	5026
808	1663	2518	3373	4228	
865	1720	2575	3430	4285	

DIMENSIONS



ACCESSORIES¹

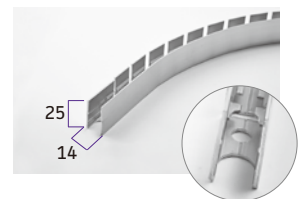
ALUMINUM CHANNEL FOR STRAIGHT LINE

- FAS00-01GD**
Rigid channel for straight line installations.
Weight : 200g
W x H x L : 14 x 25 x 1000 mm



ALUMINUM CHANNEL FOR FLEXIBLE LINE

- FAC20-01GD**
Flexible channel for curvy line installations.
Weight : 180g
W x H x L : 14 x 25 x 1000 mm



¹ Select one method for installation. These accessories are not used together. See INSTALLATION.